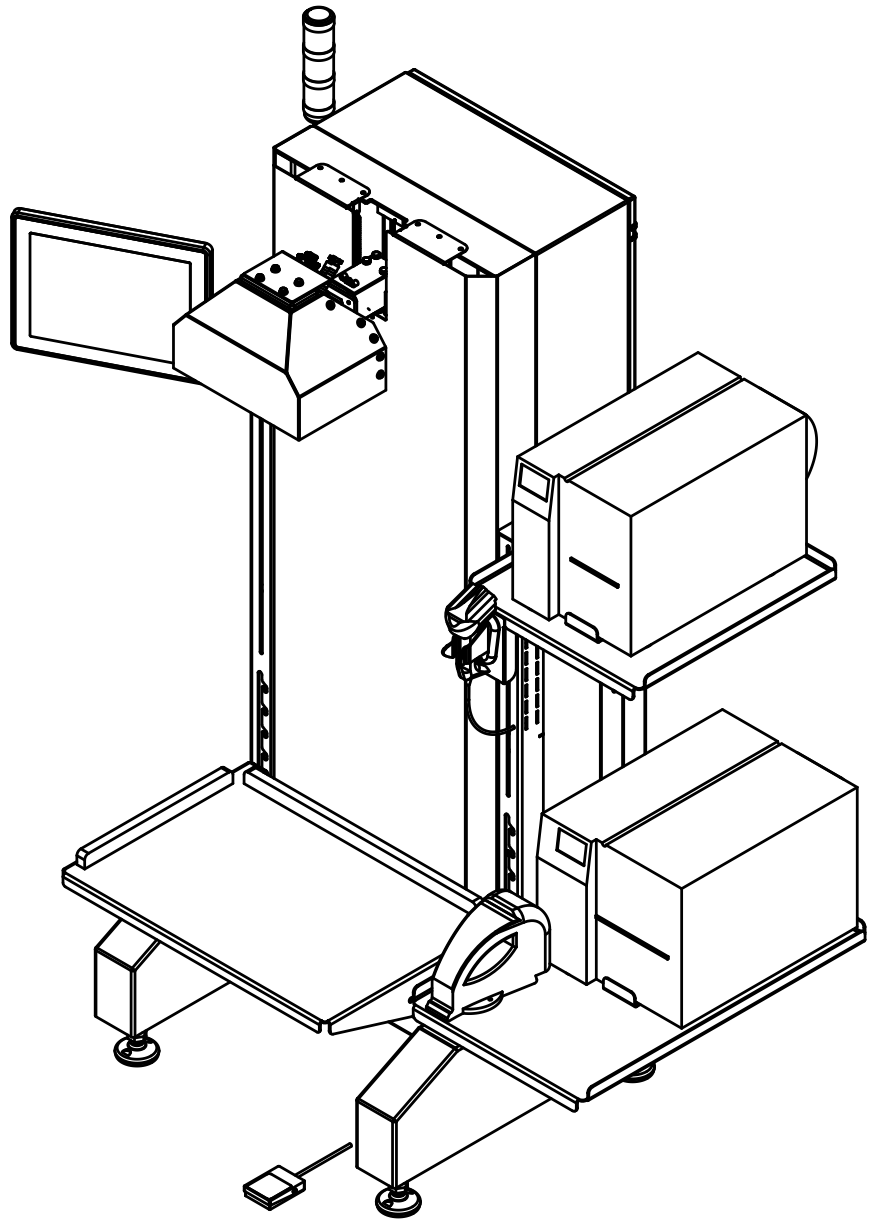


TQS-CP

TECHNICAL DATA



TECHNICAL DATA

TQS CP

BASE DATA

Material of machine	Stainless steel V2A/AISI 304
Unit weight	280 kg
Production type	IP54 ¹⁾
Temperature range	+5 °C to +40 °C
Display and operation	15" colour TFT display with touchscreen (optionally 19" colour TFT display with touchscreen)
Weighing range	30,000 g (optionally)
Product dimension (W x D x H)	600 mm x 400 mm x 550 mm (optionally 840 mm x 560 mm x 550 mm)
Product table height	500 mm-800 mm adjustable
Drive	Servomotor
Rated voltage; Rated frequency	L1/N/PE 100-240V; 50/60 Hz
Connect load	0,8 kVA

OPTIONAL COMPONENTS

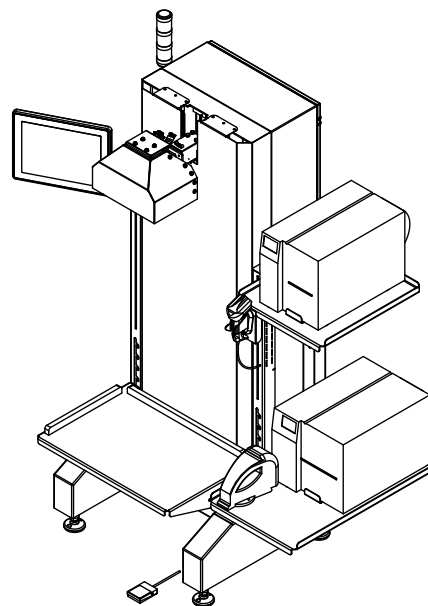
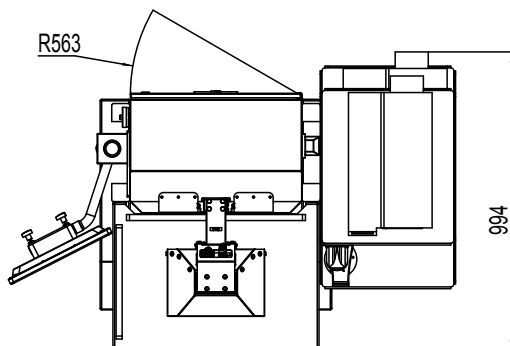
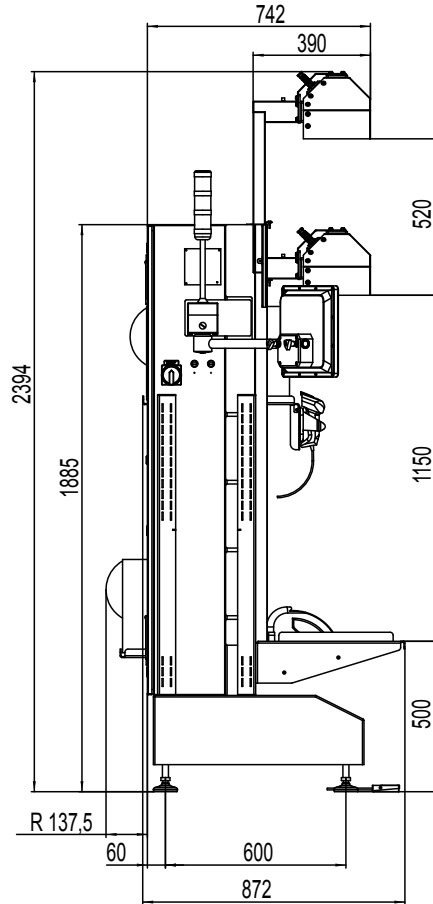
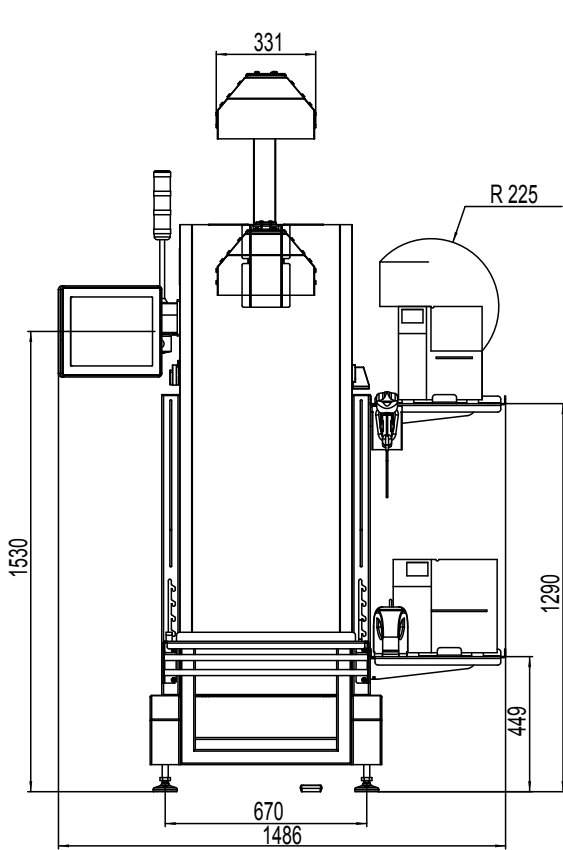
Software and Connection	TQS Line Manager, TQS Device Controller, Industrial firewall with remote maintenance, Data backup and recovery, meets requirements according to CFR 21 part 11, Microsoft Active Directory, Customer-specific report, standardised universal interface for connection to level 3
Aggregation level	Manual extention (optional manual aggregation level)
Handheld scanner	Wireless
Mark&Verify Group	Thermal Transfer Printer (TTO)
Sorting lamp	3-stage stacklight (optionally customer-specific signalling column)
Language packs	Bulgarian, Chinese (simplified), Croatian, Czech, Danish, Dutch, English, Estonian, French, German, Greek, Hungarian, Italian, Polish, Portuguese, Romanian, Russian, Spanish, Swedish, Turkish (other languages on request)
Documentation	Machine documentation, Qualification package, Functional specification (FDS), Risk analysis industrial personal computer (RA IPC), Traceability Matrix (TM), Risk analysis according to Machinery Directive (RAm)

¹⁾ water spray from above

These specifications are reference values of the standard machine excluding application- or weighing-specific add-on parts.
Extended performance data available on request.

MACHINE DIMENSIONS

TQS CP



These specifications are reference values of the standard machine excluding application- or weighing-specific add-on parts.
All entries in mm | Drawing shows design example

